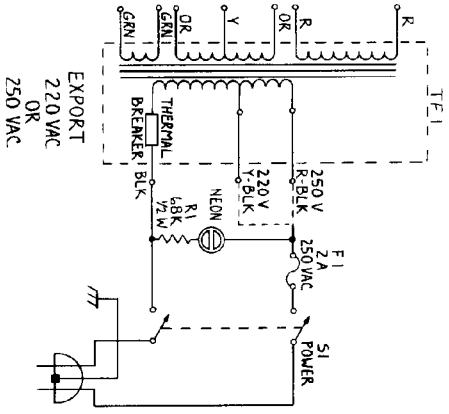
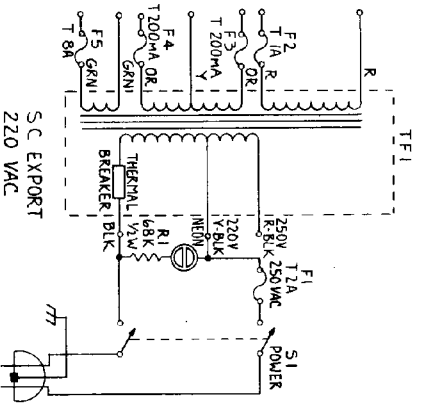
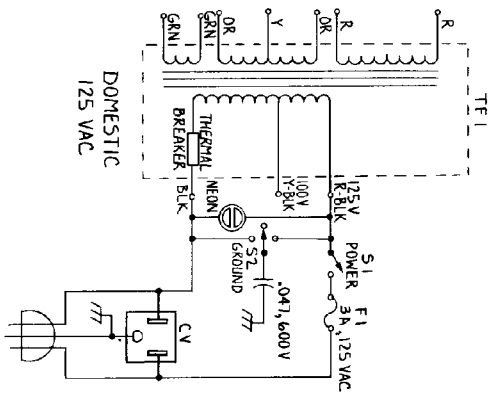
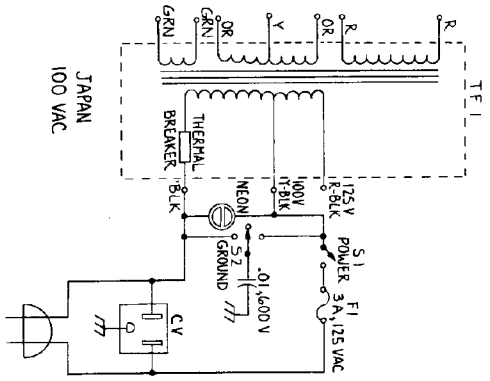




# **Amplifier Schematics**

Chassis Number: 1650-RD



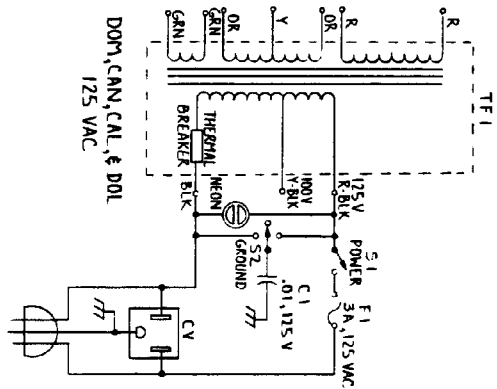
TF 1 PART NUMBERS  
 7-50-120-----100-120 VAC  
 7-50-250-----220-250 VAC

POWER TRANSFORMER DIAGRAM, RD-50

DATE: 8-25-80	DESIGNED BY: [Signature]	APPROVED BY: [Signature]
MUSIC MAN INC.		ANN ARBOR, MI, U.S.A.
5003		

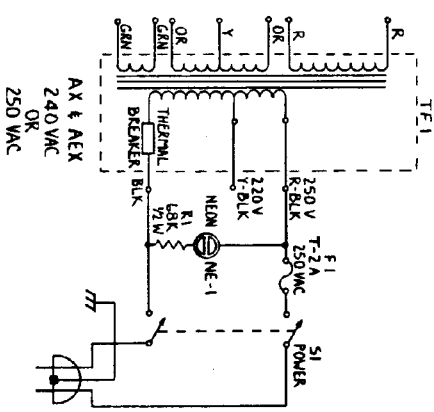
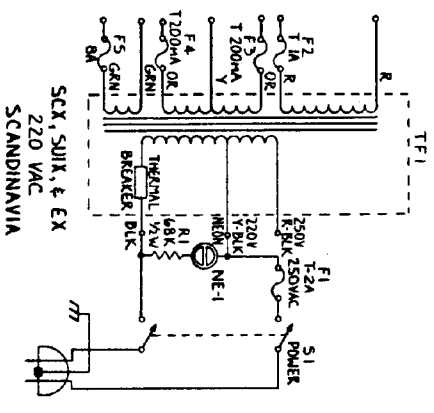
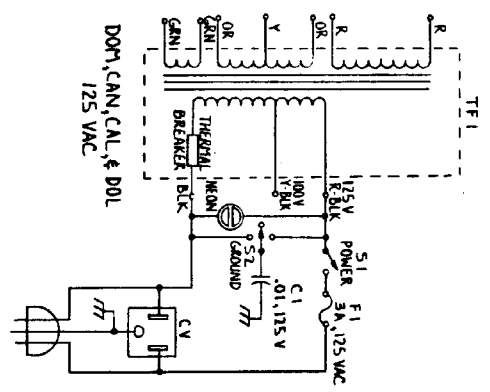
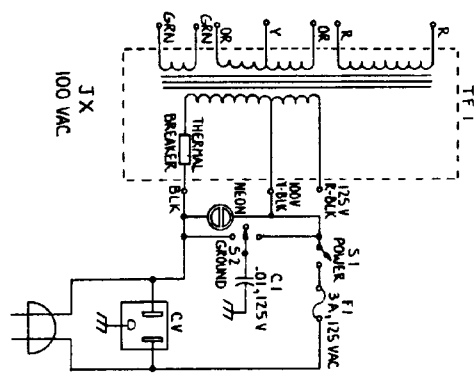
PARTS-PRICE LIST - RD 50 SERIES

- Output Transformer
- Power Transformer
- Tubes 12AX7 (7025)
- Tubes 6L6
- Tube socket, 8 pin
- Tube socket, 9 pin
- Pilot light assembly
- Control knobs - black- 0-10
- Fuse 3A 125V Slo-blo
- Fuse cap (push type)
- Fuseholder (screw-in type)
- Switch, rocker SPST (ground)
- Switch, toggle SPST (power)
- Control, 1 Meg Audio (volume)
- Diode IN 914
- Diode IN 4003
- Diode IN 4007
- Diode IN 4751A
- Diode IN 5353
- Transistor 2N3109 (2N3391)
- Transistor JF1693 (2N6292)
- IC TL072 (LF-353)
- IC MC 4016B
- Tollex covering-black
- Grill cloth
- Reverb pan (3 spring)
- Reverb input transducer
- Reverb output transducer
- Reverb spring (30")
- Speaker 10" G/HD
- Speaker 12" G/HD
- Speaker 10" Electro-Voice
- Speaker 12" Electro-Voice



REV/STN	DATE
A	10/23/81

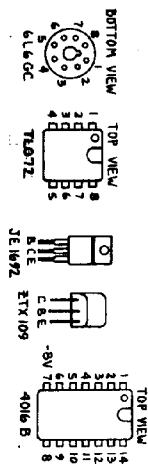
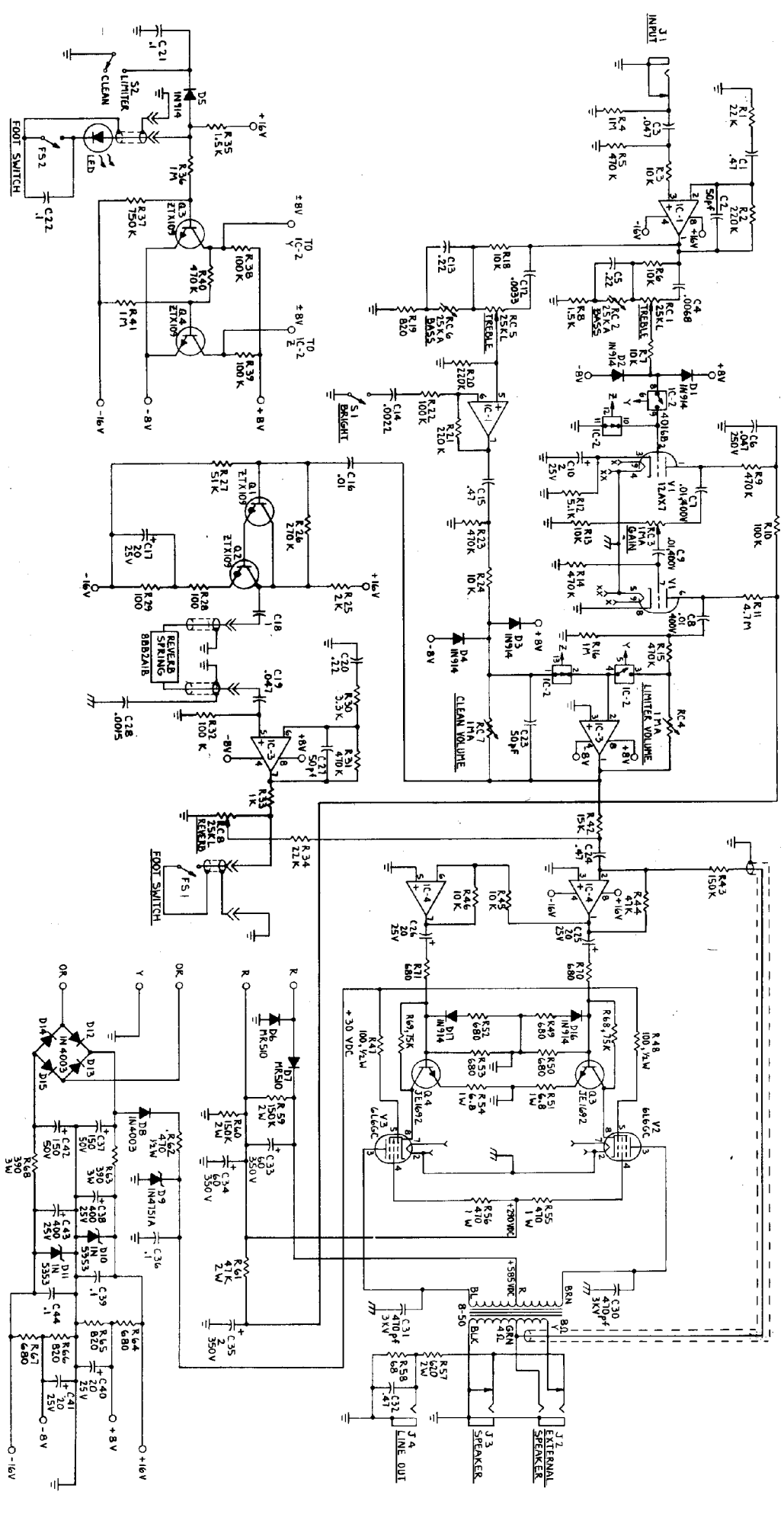
POWER TRANSFORMER DIAGRAM, RD-50	
DATE: 8-25-80	DESIGNED BY: LLL
MUSIC MAN INC. ANAHEIM, CA.	
5003	



TF 1 PART NUMBERS  
 T-50-120 100-120 VAC  
 T-50-250 220-250 VAC

REVISION	DATE
A ADD PNEUMATIC CHART	10/25/81 (44)
B CHANGE TO Y TYPE PART	12/20/81 (44)

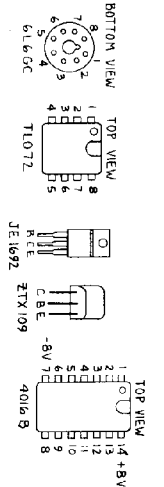
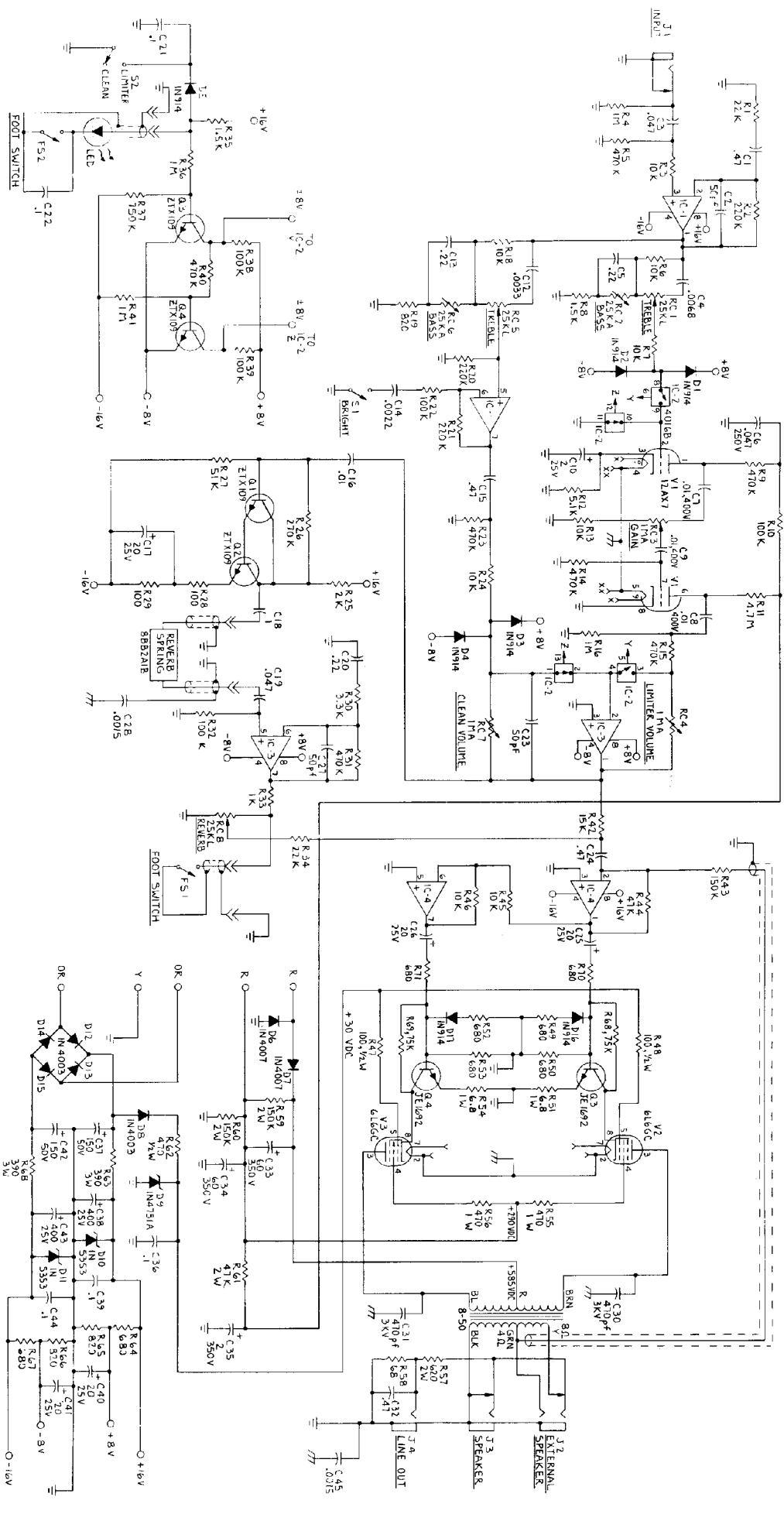
POWER TRANSFORMER DIMCANT, RD-50	
Part No. 8725-B01	(44)
MUSIC MAN INC., ANAHEIM, CA.	5003



1. ALL RESISTANCE VALUES ARE IN OHMS (Ω), 1/4 WATT, EXCEPT WHERE NOTED.
2. ALL CAPACITANCE VALUES ARE IN MICROFARADS (μF) EXCEPT WHERE NOTED.
3. IC-1, IC-2, IC-3 ARE TLO72.
4. IC-2 IS 4016B.
5. +8V & -8V ARE NOMINAL; ACTUAL VOLTAGE MAY VARY ±1 VOLT.

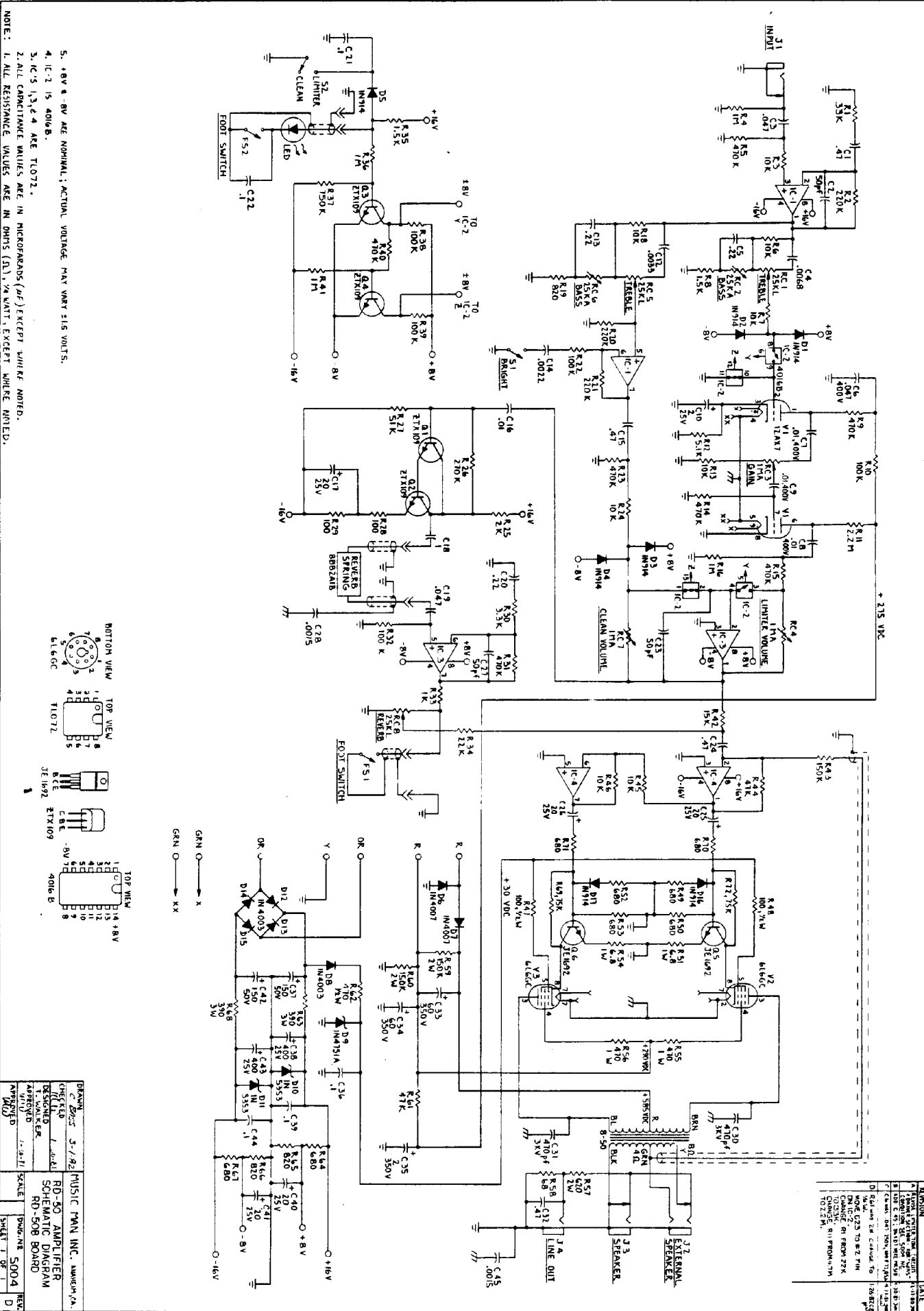
NOTE: 1. ALL RESISTANCE VALUES ARE IN OHMS (Ω), 1/4 WATT, EXCEPT WHERE NOTED.

DESIGNED BY	J. Mc. G. 9-3-80	MUSIC MAN INC. ANNARBOR, MI.
CHECKED BY	T. W. S. 7-7-80	
DESIGNED BY	T. W. S. 7-7-80	
APPROVED BY	T. W. S. 7-7-80	
DATE	7-7-80	
SCALE	DWG-NR 5004	
SHEET	1 OF 1	

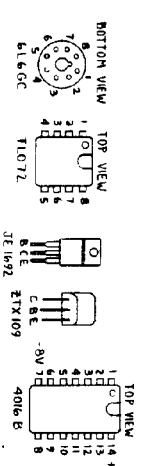


- 5. +8V & -8V ARE NOMINAL; ACTUAL VOLTAGE MAY VARY ±1 VOLT.
- 4. IC-2 IS 42016 B.
- 3. IC-5 1,3, & 4 ARE TL072.
- 2. ALL CAPACITANCE VALUES ARE IN MICROFARADS (UF) EXCEPT WHERE NOTED.
- 1. ALL RESISTANCE VALUES ARE IN OHMS (Ω), % WATT, EXCEPT WHERE NOTED.

DESIGNED BY	DRANN	MUSIC PIANO INC. AMHERST, CA.
CHECKED BY	J. H. C. 9-3-72	
DESIGNED BY	T. WALKER	
APPROVED		
SCALE	DWG. NO. 5004	REV.
SHEET	1 OF 1	B



NOTE: 1. ALL RESISTANCE VALUES ARE IN OHMS (Ω), % WATT, EXCEPT WHERE NOTED.  
 2. ALL CAPACITANCE VALUES ARE IN MICROFARADS (µF) EXCEPT WHERE NOTED.  
 3. IC'S 1, 3, 4 ARE TL072.  
 4. IC-2 IS 4006B.  
 5. +8V & -8V ARE NOMINAL; ACTUAL VOLTAGE MAY VARY ±1.5 VOLTS.

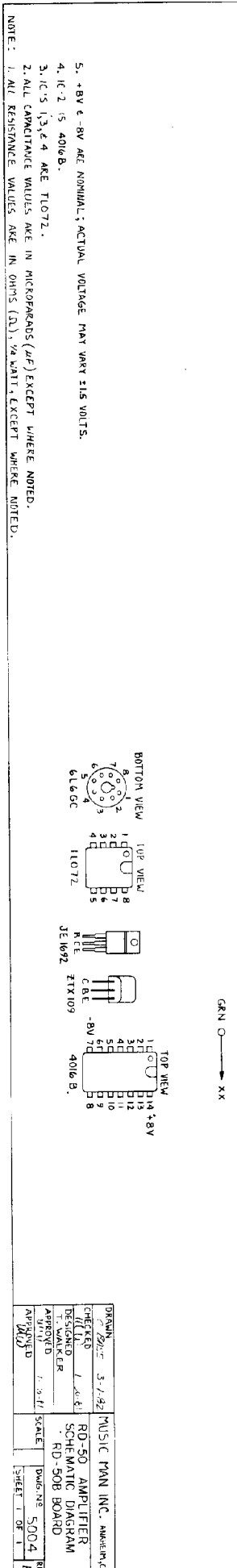
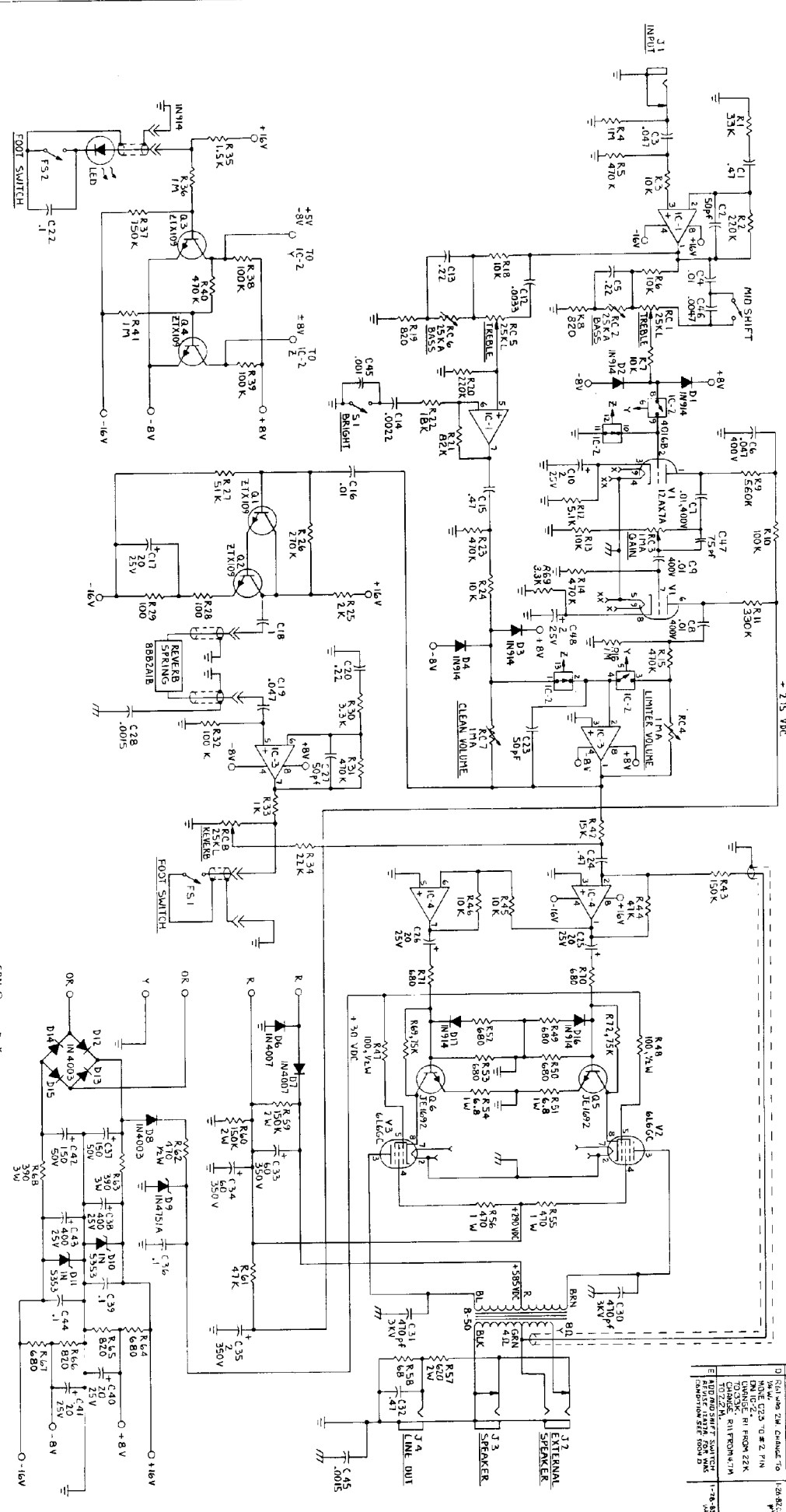


DATE	REV	BY	APP'D
10/10/72	1	J.E.	J.E.
10/10/72	2	J.E.	J.E.
10/10/72	3	J.E.	J.E.
10/10/72	4	J.E.	J.E.
10/10/72	5	J.E.	J.E.
10/10/72	6	J.E.	J.E.
10/10/72	7	J.E.	J.E.
10/10/72	8	J.E.	J.E.
10/10/72	9	J.E.	J.E.
10/10/72	10	J.E.	J.E.
10/10/72	11	J.E.	J.E.
10/10/72	12	J.E.	J.E.
10/10/72	13	J.E.	J.E.
10/10/72	14	J.E.	J.E.
10/10/72	15	J.E.	J.E.
10/10/72	16	J.E.	J.E.
10/10/72	17	J.E.	J.E.
10/10/72	18	J.E.	J.E.
10/10/72	19	J.E.	J.E.
10/10/72	20	J.E.	J.E.
10/10/72	21	J.E.	J.E.
10/10/72	22	J.E.	J.E.
10/10/72	23	J.E.	J.E.
10/10/72	24	J.E.	J.E.
10/10/72	25	J.E.	J.E.
10/10/72	26	J.E.	J.E.
10/10/72	27	J.E.	J.E.
10/10/72	28	J.E.	J.E.
10/10/72	29	J.E.	J.E.
10/10/72	30	J.E.	J.E.
10/10/72	31	J.E.	J.E.
10/10/72	32	J.E.	J.E.
10/10/72	33	J.E.	J.E.
10/10/72	34	J.E.	J.E.
10/10/72	35	J.E.	J.E.
10/10/72	36	J.E.	J.E.
10/10/72	37	J.E.	J.E.
10/10/72	38	J.E.	J.E.
10/10/72	39	J.E.	J.E.
10/10/72	40	J.E.	J.E.
10/10/72	41	J.E.	J.E.
10/10/72	42	J.E.	J.E.
10/10/72	43	J.E.	J.E.
10/10/72	44	J.E.	J.E.
10/10/72	45	J.E.	J.E.
10/10/72	46	J.E.	J.E.
10/10/72	47	J.E.	J.E.
10/10/72	48	J.E.	J.E.
10/10/72	49	J.E.	J.E.
10/10/72	50	J.E.	J.E.
10/10/72	51	J.E.	J.E.
10/10/72	52	J.E.	J.E.
10/10/72	53	J.E.	J.E.
10/10/72	54	J.E.	J.E.
10/10/72	55	J.E.	J.E.
10/10/72	56	J.E.	J.E.
10/10/72	57	J.E.	J.E.
10/10/72	58	J.E.	J.E.
10/10/72	59	J.E.	J.E.
10/10/72	60	J.E.	J.E.
10/10/72	61	J.E.	J.E.
10/10/72	62	J.E.	J.E.
10/10/72	63	J.E.	J.E.
10/10/72	64	J.E.	J.E.
10/10/72	65	J.E.	J.E.
10/10/72	66	J.E.	J.E.
10/10/72	67	J.E.	J.E.
10/10/72	68	J.E.	J.E.
10/10/72	69	J.E.	J.E.
10/10/72	70	J.E.	J.E.
10/10/72	71	J.E.	J.E.
10/10/72	72	J.E.	J.E.
10/10/72	73	J.E.	J.E.
10/10/72	74	J.E.	J.E.
10/10/72	75	J.E.	J.E.
10/10/72	76	J.E.	J.E.
10/10/72	77	J.E.	J.E.
10/10/72	78	J.E.	J.E.
10/10/72	79	J.E.	J.E.
10/10/72	80	J.E.	J.E.
10/10/72	81	J.E.	J.E.
10/10/72	82	J.E.	J.E.
10/10/72	83	J.E.	J.E.
10/10/72	84	J.E.	J.E.
10/10/72	85	J.E.	J.E.
10/10/72	86	J.E.	J.E.
10/10/72	87	J.E.	J.E.
10/10/72	88	J.E.	J.E.
10/10/72	89	J.E.	J.E.
10/10/72	90	J.E.	J.E.
10/10/72	91	J.E.	J.E.
10/10/72	92	J.E.	J.E.
10/10/72	93	J.E.	J.E.
10/10/72	94	J.E.	J.E.
10/10/72	95	J.E.	J.E.
10/10/72	96	J.E.	J.E.
10/10/72	97	J.E.	J.E.
10/10/72	98	J.E.	J.E.
10/10/72	99	J.E.	J.E.
10/10/72	100	J.E.	J.E.

DESIGN: J.E./J.E.  
 CHECKED: J.E./J.E.  
 FILED: J.E./J.E.  
 DESIGNED: J.E./J.E.  
 APPROVED: J.E./J.E.  
 DATE: 10-10-72

MUSIC MAN INC. NUMBER 7A  
 RD-50 AMPLIFIER  
 SCHEMATIC DIAGRAM  
 RD-50B BOARD  
 SCALE: 1:1  
 SHEET 1 OF 1

DATE: 10/10/72  
 REV: 1  
 BY: J.E.  
 APP'D: J.E.



- 1. ALL RESISTANCE VALUES ARE IN OHMS (Ω), % TOLERANCE, EXCEPT WHERE NOTED.
- 2. ALL CAPACITANCE VALUES ARE IN MICROFARADS (μF) EXCEPT WHERE NOTED.
- 3. IC'S 1, 2, 3, 4 ARE TL072.
- 4. IC-2 IS 4016B.
- 5. +8V & -8V ARE NOMINAL; ACTUAL VOLTAGE MAY VARY ±1.5 VOLTS.

REVISION	DATE
1	10/17/80
2	11/13/80
3	11/13/80
4	11/13/80
5	11/13/80
6	11/13/80
7	11/13/80
8	11/13/80
9	11/13/80
10	11/13/80
11	11/13/80
12	11/13/80
13	11/13/80
14	11/13/80
15	11/13/80
16	11/13/80
17	11/13/80
18	11/13/80
19	11/13/80
20	11/13/80
21	11/13/80
22	11/13/80
23	11/13/80
24	11/13/80
25	11/13/80
26	11/13/80
27	11/13/80
28	11/13/80
29	11/13/80
30	11/13/80
31	11/13/80
32	11/13/80
33	11/13/80
34	11/13/80
35	11/13/80
36	11/13/80
37	11/13/80
38	11/13/80
39	11/13/80
40	11/13/80
41	11/13/80
42	11/13/80
43	11/13/80
44	11/13/80
45	11/13/80
46	11/13/80
47	11/13/80
48	11/13/80
49	11/13/80
50	11/13/80
51	11/13/80
52	11/13/80
53	11/13/80
54	11/13/80
55	11/13/80
56	11/13/80
57	11/13/80
58	11/13/80
59	11/13/80
60	11/13/80
61	11/13/80
62	11/13/80
63	11/13/80
64	11/13/80
65	11/13/80
66	11/13/80
67	11/13/80
68	11/13/80
69	11/13/80
70	11/13/80
71	11/13/80
72	11/13/80
73	11/13/80
74	11/13/80
75	11/13/80
76	11/13/80
77	11/13/80
78	11/13/80
79	11/13/80
80	11/13/80
81	11/13/80
82	11/13/80
83	11/13/80
84	11/13/80
85	11/13/80
86	11/13/80
87	11/13/80
88	11/13/80
89	11/13/80
90	11/13/80
91	11/13/80
92	11/13/80
93	11/13/80
94	11/13/80
95	11/13/80
96	11/13/80
97	11/13/80
98	11/13/80
99	11/13/80
100	11/13/80

DRAWN: 3/1/82  
 CHECKED: 1/1/82  
 DESIGNED: T. WALKER  
 APPROVED: 1/1/82  
 SCALE: 1:1  
 SHEET: 1 OF 1